

Handles and locks.

The first two pages of this section give an outline of the closing lock AN 80 and the double handle AN 70. These two accessories are in black nylon with an aluminium pin. The latch is fastened by self tapping screws threaded through nylon and aluminium. Screw holes are not marked, as their position is determined by the user. There is also a stopper that must be screwed into the panel to limit the handle run to 90°.

These two items are very versatile in that they can be used for panels of various thickness.

Lock DN 90 is quite strong and used when a flat panel with a flush surface is specified.

The DN 200/201 and DN 850/860 are the master products in the range for finish and design characteristics.

These items come with a tropicalised steel pin with screws at either end where the handle and latch are fitted.

These handles are available for panels that are 20, 25, 45 and 50 mm thick. Different pins can also be supplied for use with these handles for panels of different thickness.

Nylon screw-guide bushes.

The screw-guide N 870 is suitable for panels 25 mm thick and the N 871 for thicknesses of 45 and 50 mm.

Hinges

It is important to note the technical aspects of these hinges, in that they include a self-lubricating "thermoplastic" pin.

This pin does not only increase the operating efficiency of the hinge itself but it is corrosion resistant too.

These nylon hinges are produced in two different versions.

The standard version (N152, N148) has the axle hole "perfectly" round, while the more innovative version (N150, N149) has the axle hole slightly oval to compensate for potential mis-alignment between the panel and the profile .

Aluminium hinges are available in black and silver.

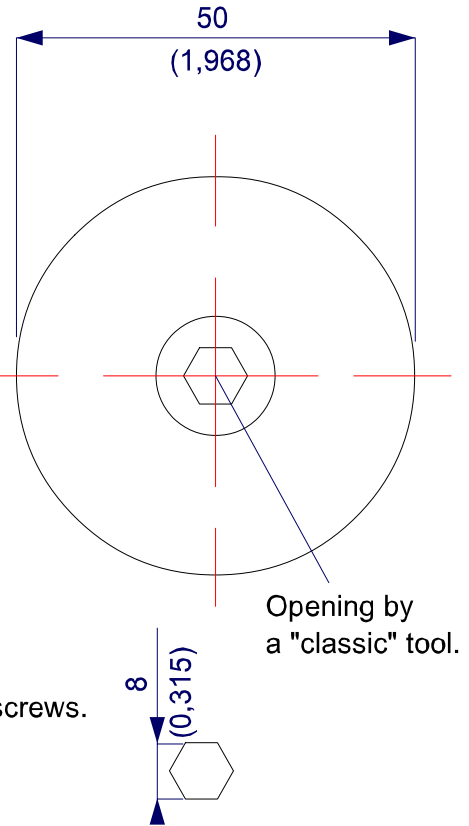
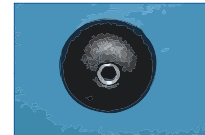
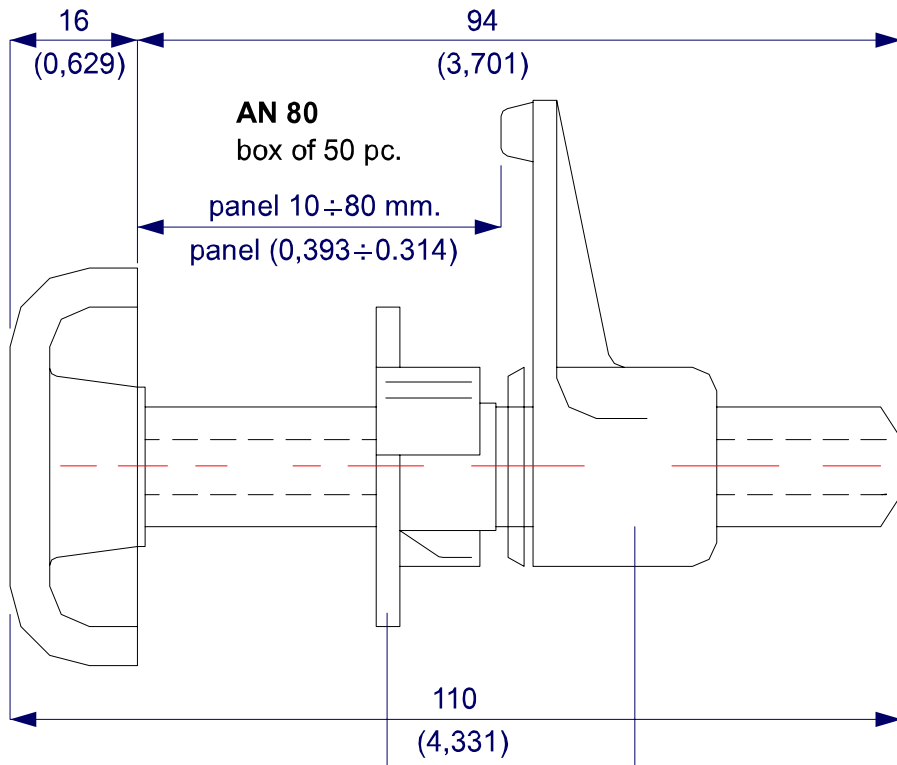
Portholes

There are two types of portholes available.

The first type (N180-25/50 and 181) is entirely in plexiglass and comes with a rubber gasket on the flange. The second, larger one, has an external nylon ring and transparent disc in plexiglass (N300, N302). This porthole may also be used as double.

The double porthole consists of two parts (N300 + N301), which can be fitted inside each other thereby making them adjustable. The adjustable porthole can be used with panels 25-50 mm thick.

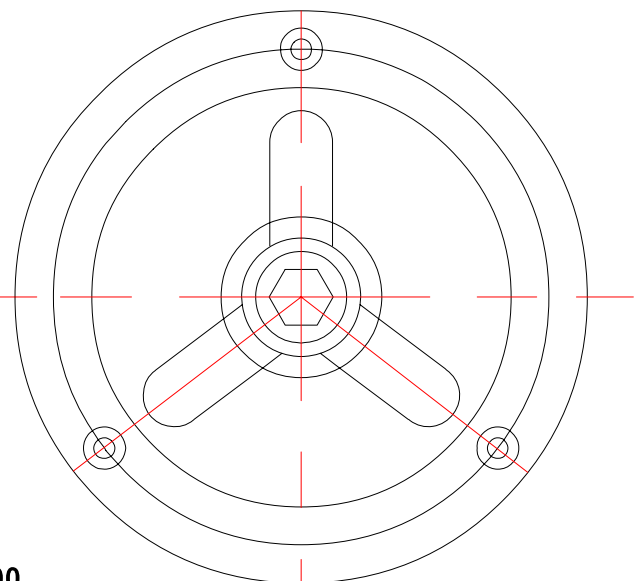
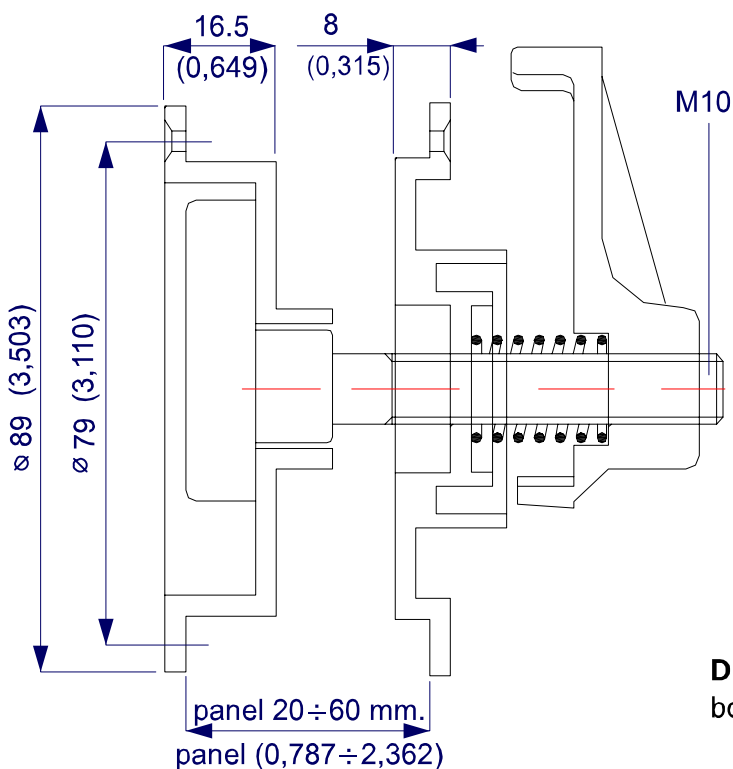
Nylon lock with aluminium pin



Latch stopper (90°)

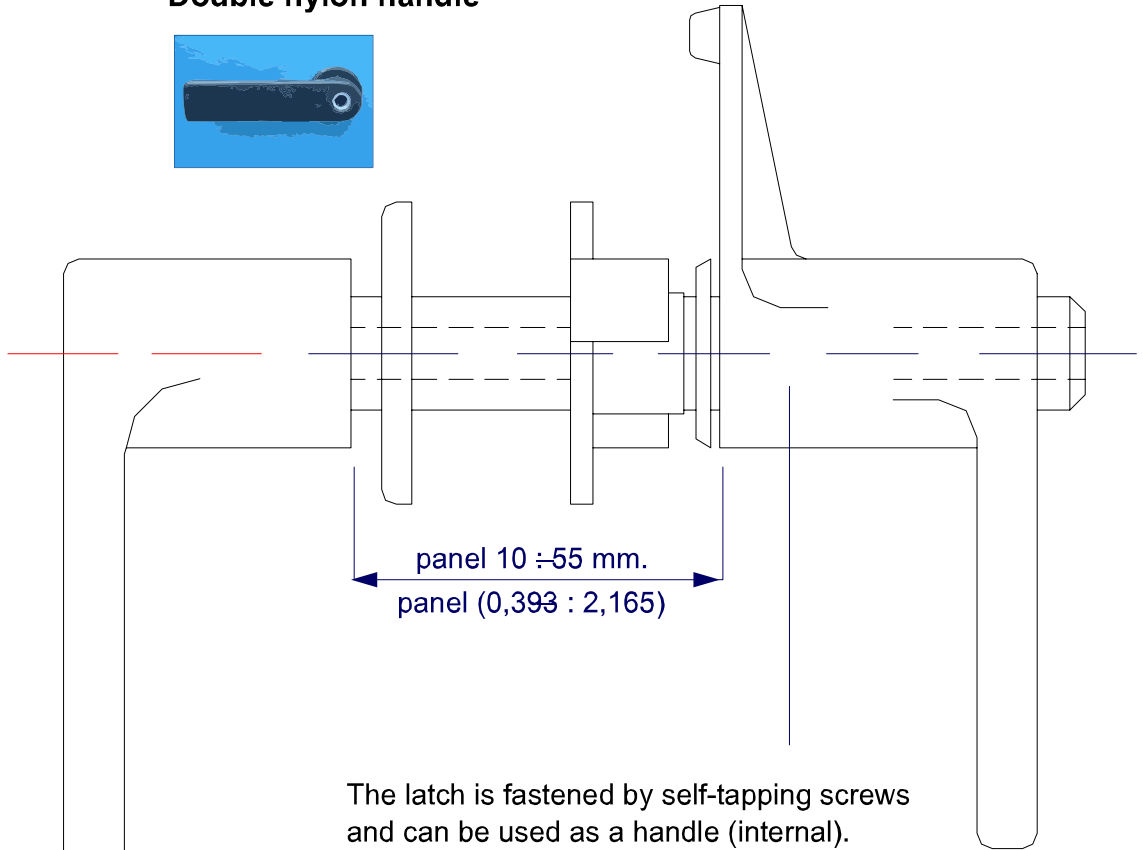
The latch is fastened by self-tapping screws.

Flat lock (plane handle with the panel)

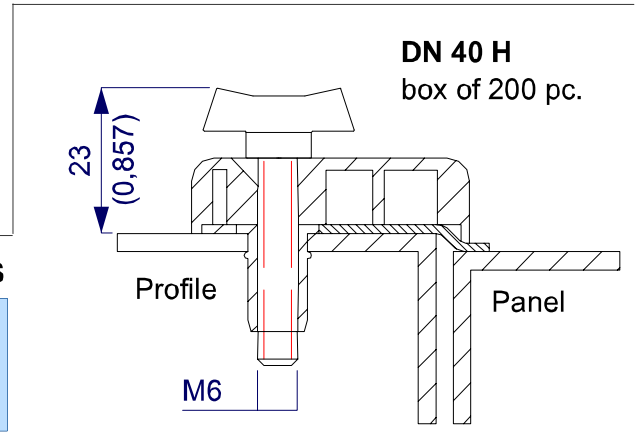


DN 90
box of 25 pc.

Double nylon handle

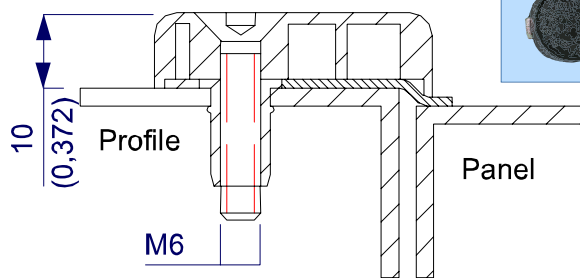
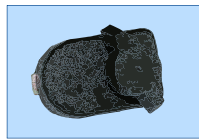


AN 70
box of 50 pc.

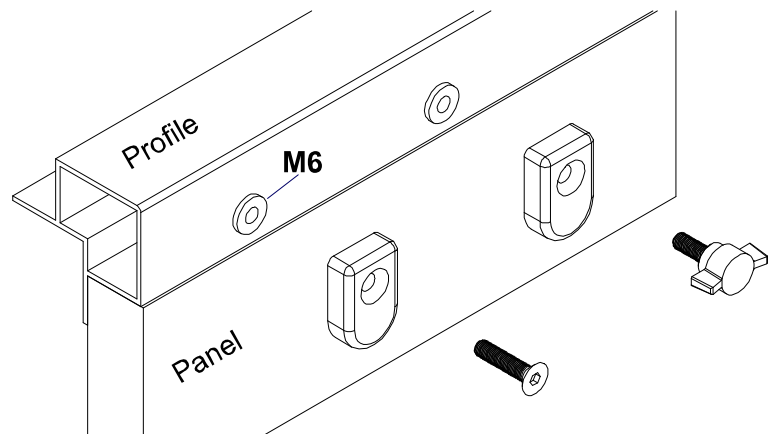
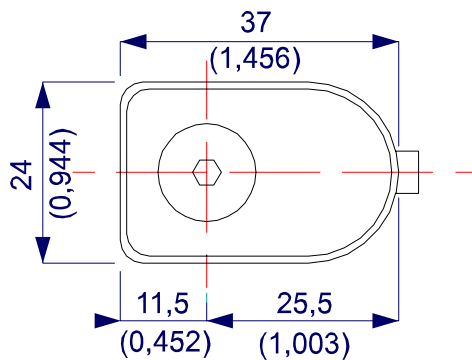


DN 40
box of 200 pc.

PANEL STOPS

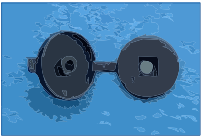


Nylon panel stops
with steel plate



Double handle available for panels of thickness from 14 to 54 mm.

Keep a gap of 2 mm (0,078 IN) between panel and profile



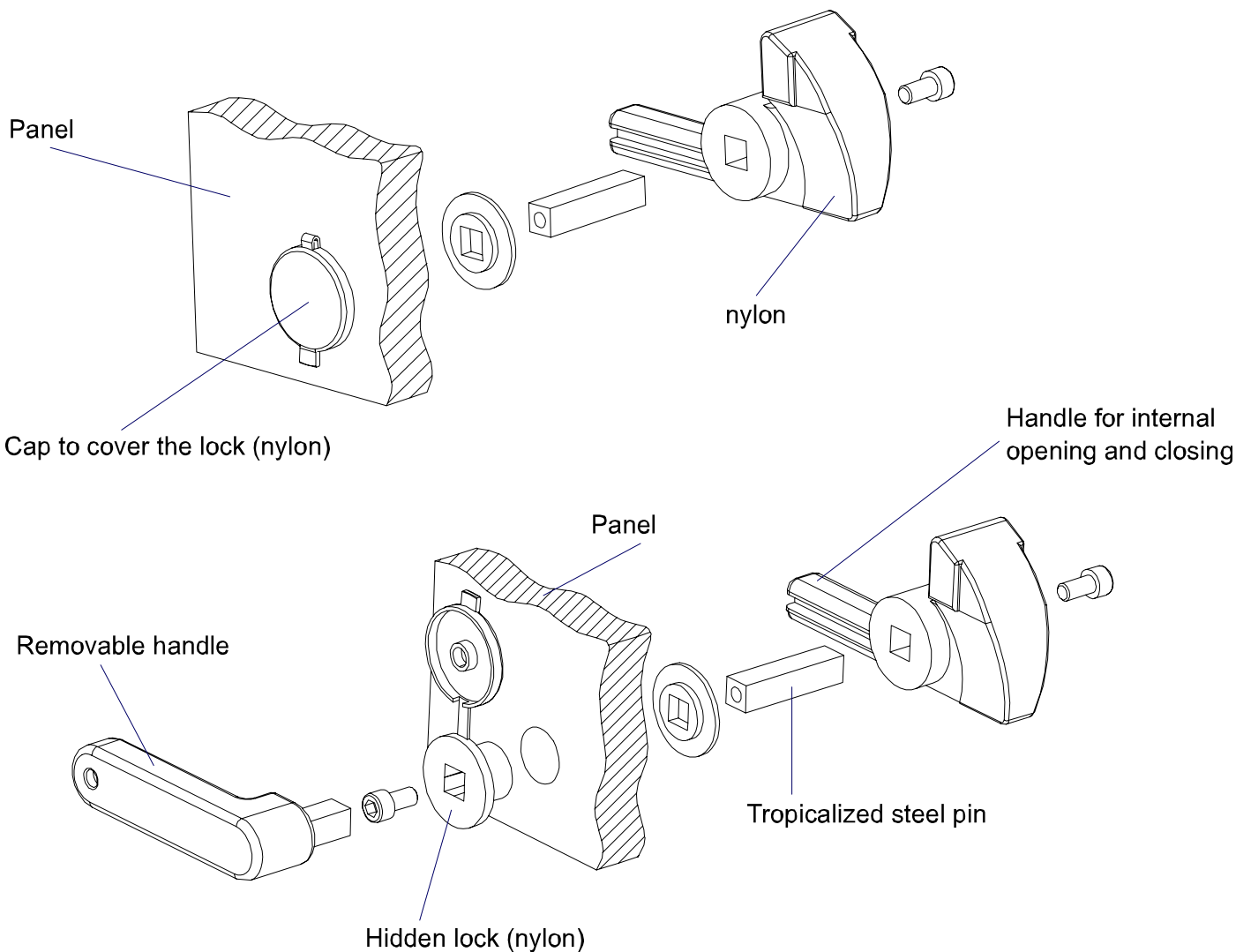
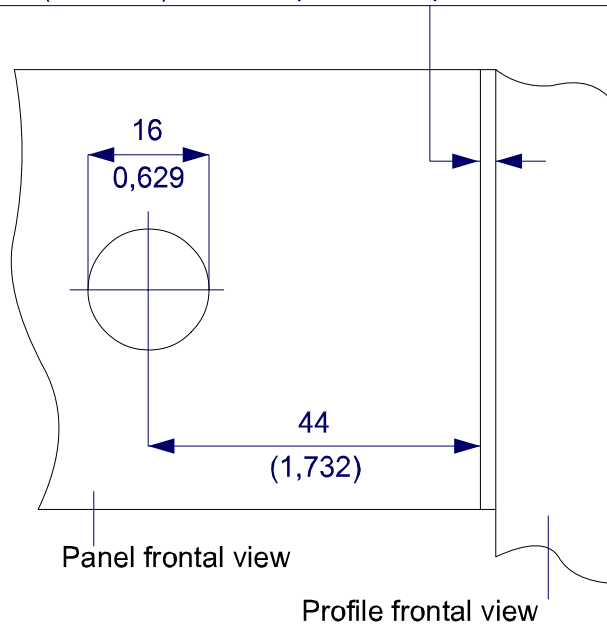
DN SF 14-17 Lock box of 50 pc.

DN SF 19-23 Lock box of 50 pc.

DN SF 23-26 Lock box of 50 pc.

DN SF 43-48 Lock box of 50 pc.

DN SF 49-54 Lock box of 50 pc.

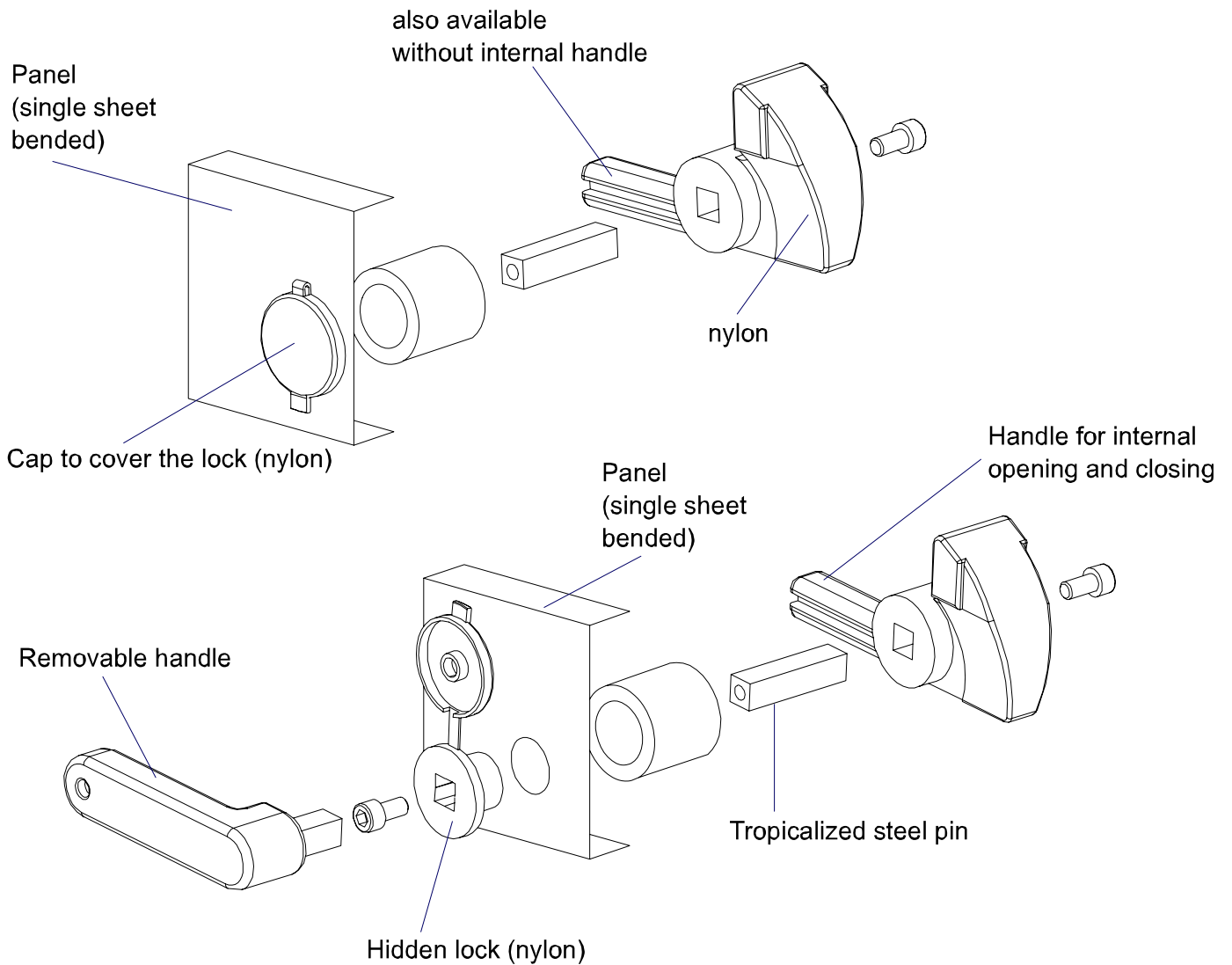
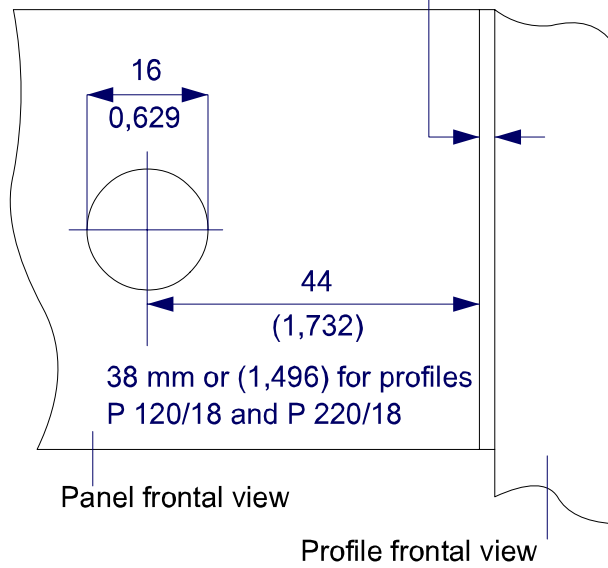


**Double handle available for single sheet bended panel.
Range of panel: thickness from 14 to 54 mm.**



- DN SSB 14-17 Lock** box of 50 pc.
- DN SSB 19-23 Lock** box of 50 pc.
- DN SSB 23-26 Lock** box of 50 pc.
- DN SSB 43-48 Lock** box of 50 pc.
- DN SSB 49-54 Lock** box of 50 pc.

Keep a gap of 2 mm between panel and profile

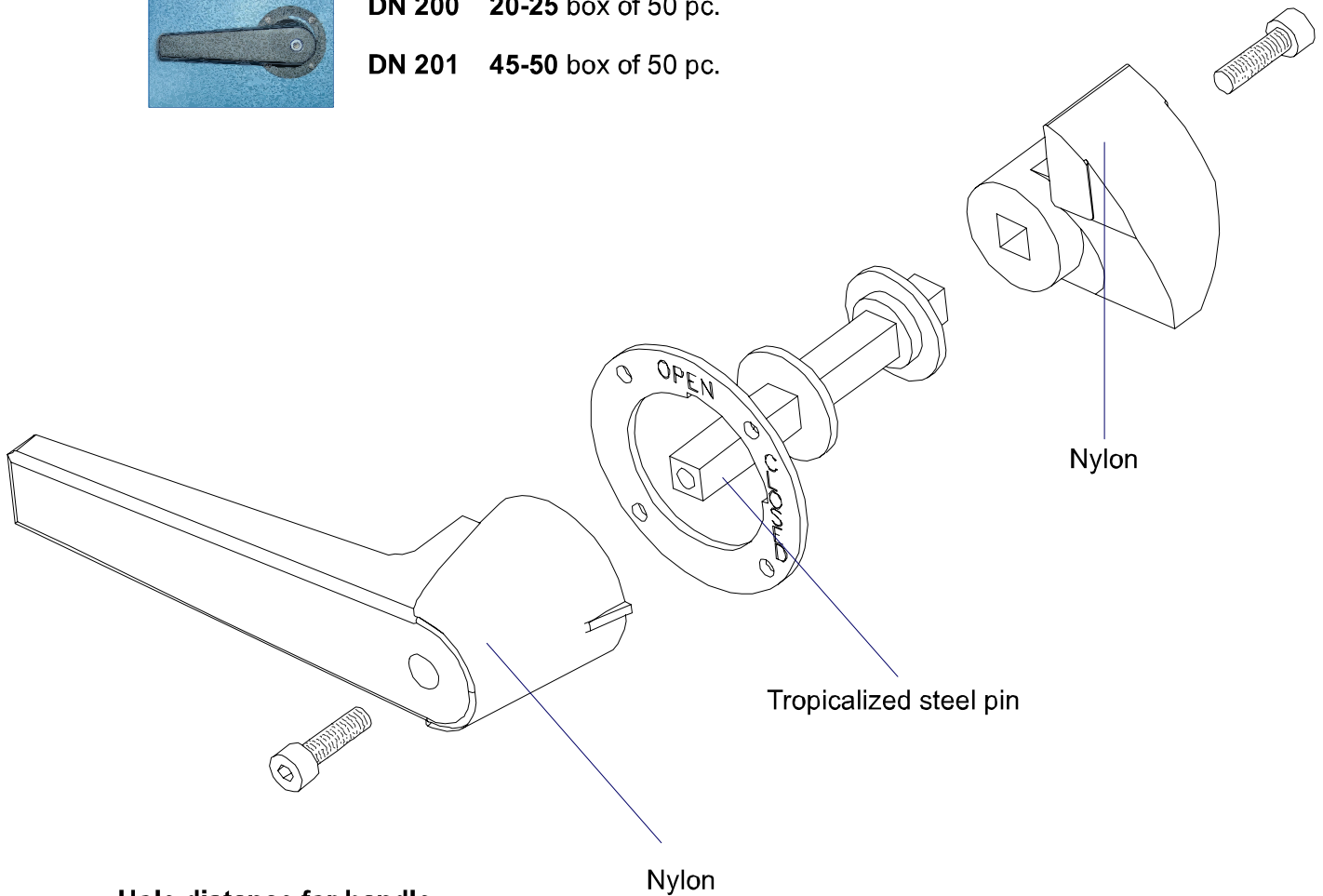


Nylon handle for panels of thickness: 20/25/45/50



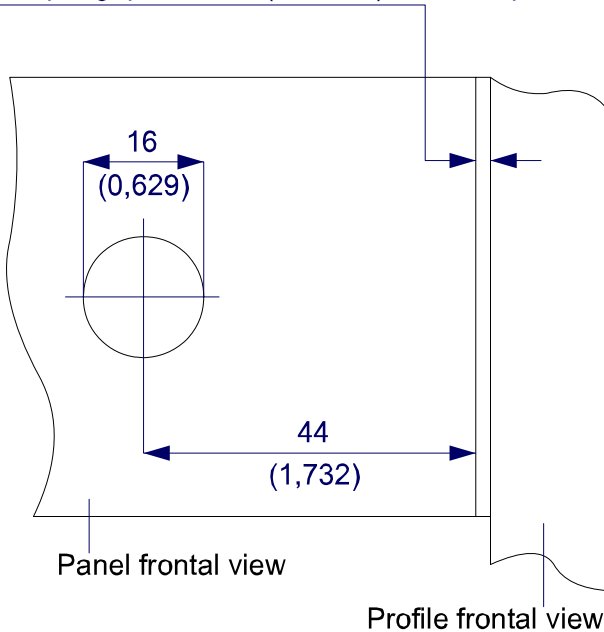
DN 200 20-25 box of 50 pc.

DN 201 45-50 box of 50 pc.



Hole distance for handle

Keep a gap of 2 mm (0,787IN) between panel and profile



Available pins

DS 31 square pin 8 for DN 850 / 20-25
L = 31mm (1,220)

DS 56 square pin 8 for DN 860 / 45-50
L = 56mm (2,204) DN 200 / 20-25

DS 76 square pin 8 for handles mm 76
L = 76mm (2,992)

DS 81 square pin 8 for DN 201 / 45-50
L = 81mm (3,189)

DS 96 square pin 8 for handles mm 96
L = 96mm (3,779)

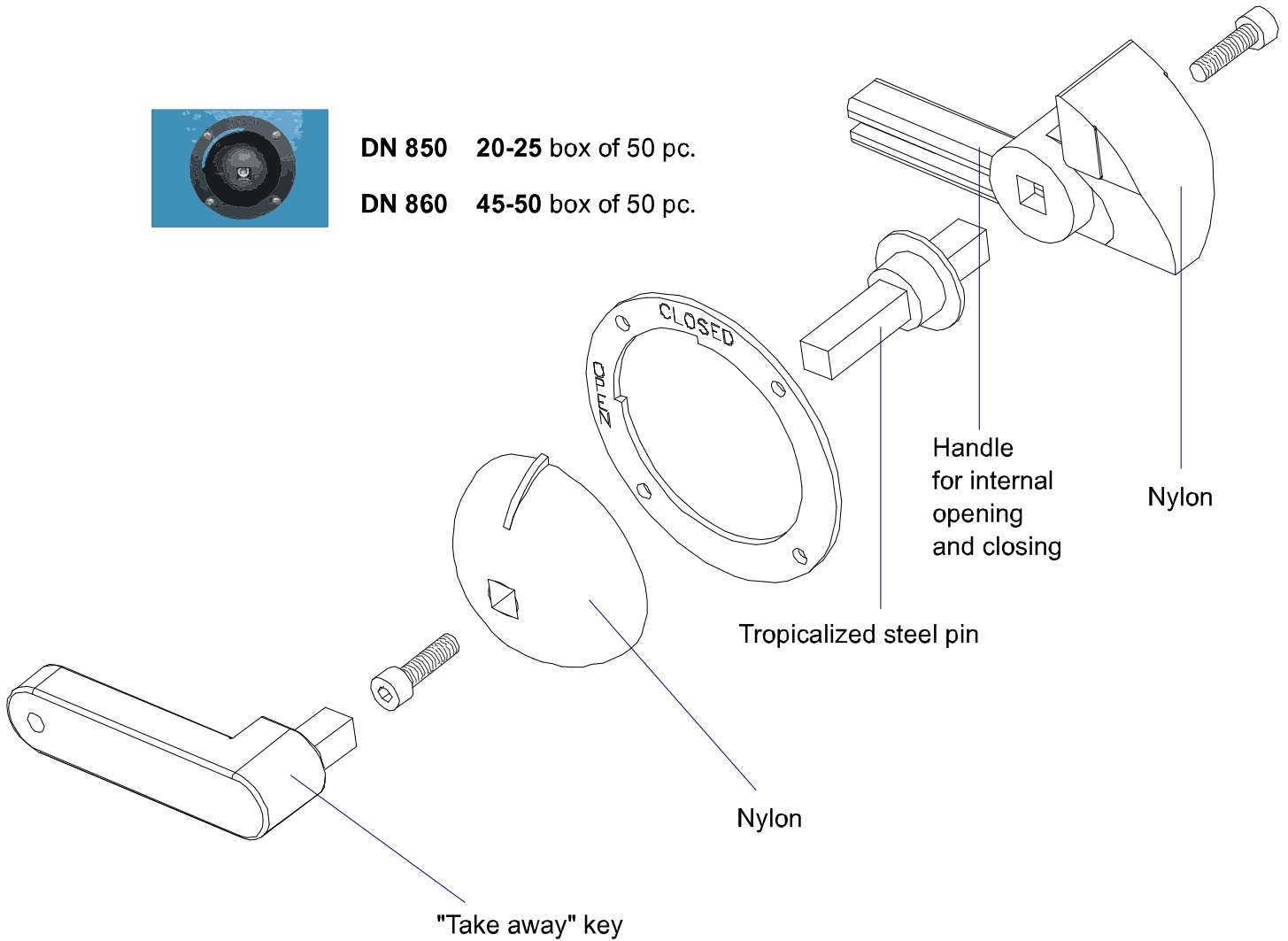
DS 106 square pin 8 for handles mm 106
L = 106mm (4,173)

Double lock with key for panels of thickness: 20/25/45/50



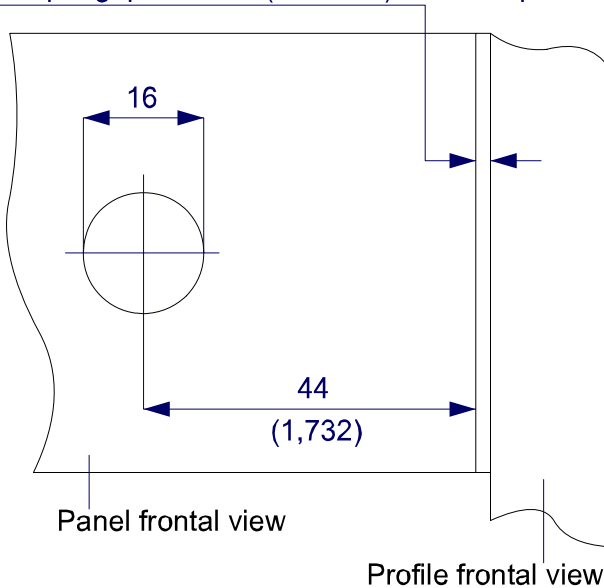
DN 850 20-25 box of 50 pc.

DN 860 45-50 box of 50 pc.



Hole distance for handle

Keep a gap of 2 mm (0,787 IN) between panel and profile



Available pins

DS 31 square pin 8 for DN 850 / 20-25
L = 31mm (1,220)

DS 56 square pin 8 for DN 860 / 45-50
L = 56mm (2,204) DN 200 / 20-25

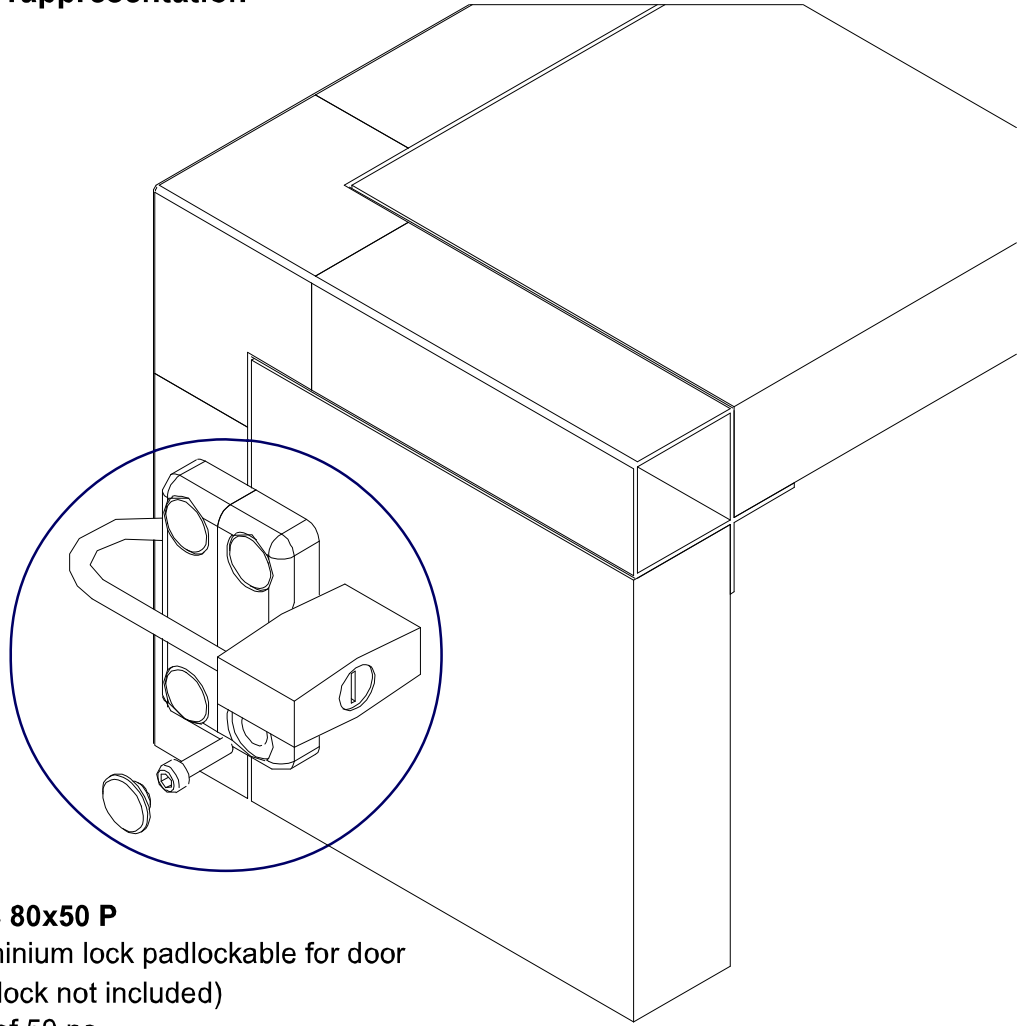
DS 76 square pin 8 for handles mm 76
L = 76mm (2,992)

DS 81 square pin 8 for DN 201 / 45-50
L = 81mm (3,189)

DS 96 square pin 8 for handles mm 96
L = 96mm (3,779)

DS 106 square pin 8 for handles mm 106
L = 106mm (4,173)

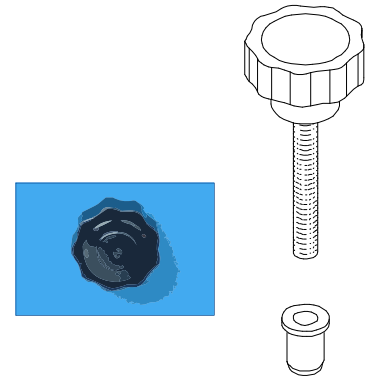
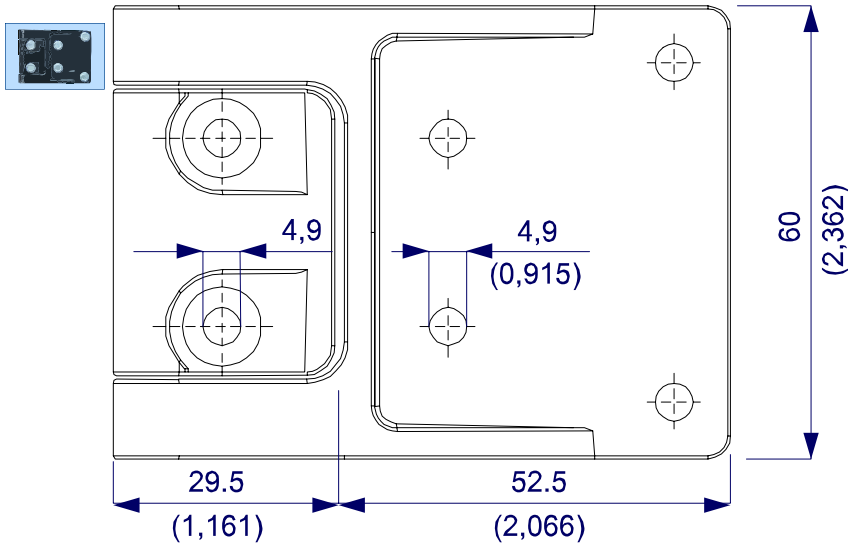
3D representation



ACB 80x50 P
Aluminium lock padlockable for door
(padlock not included)
box of 50 pc.

A 151 aluminium hinge
box of 100 pc.

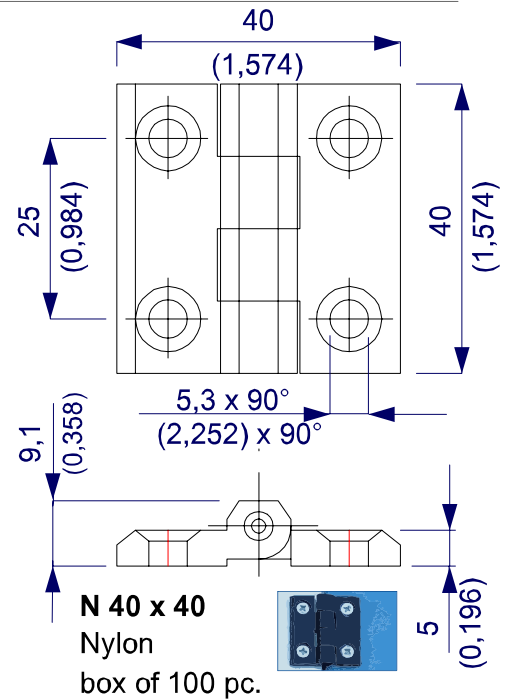
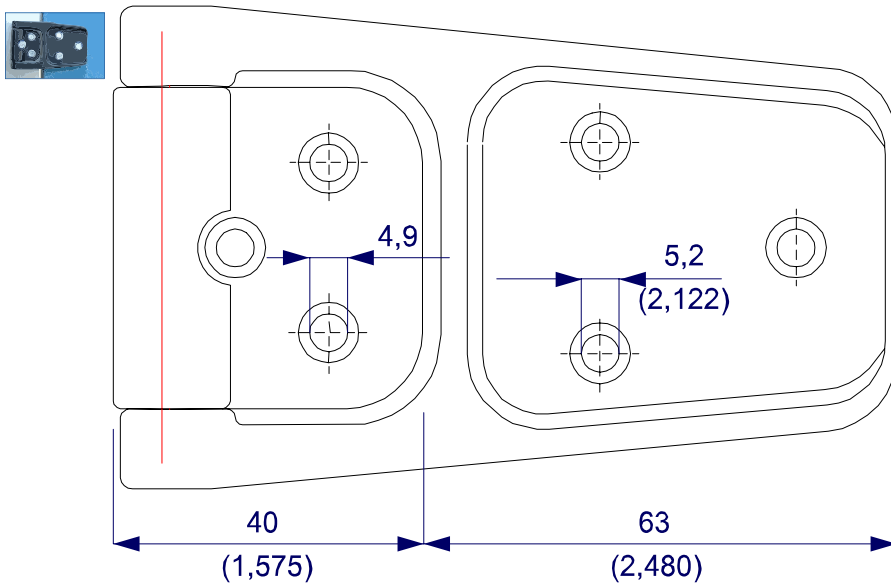
N 153 nylon hinge
box of 100 pc.



N 210
Fastening knob
with insert 6 MA.
box of 200 pc.

N 150 nylon hinge with
oval hole; box of 50 pc.

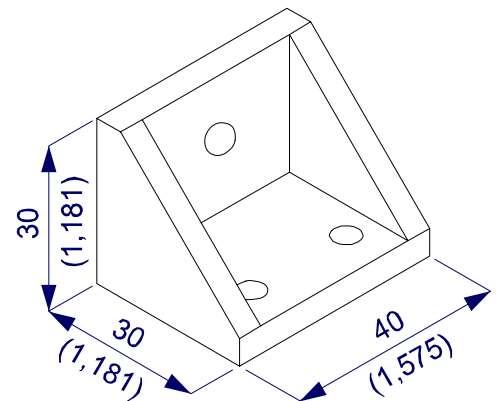
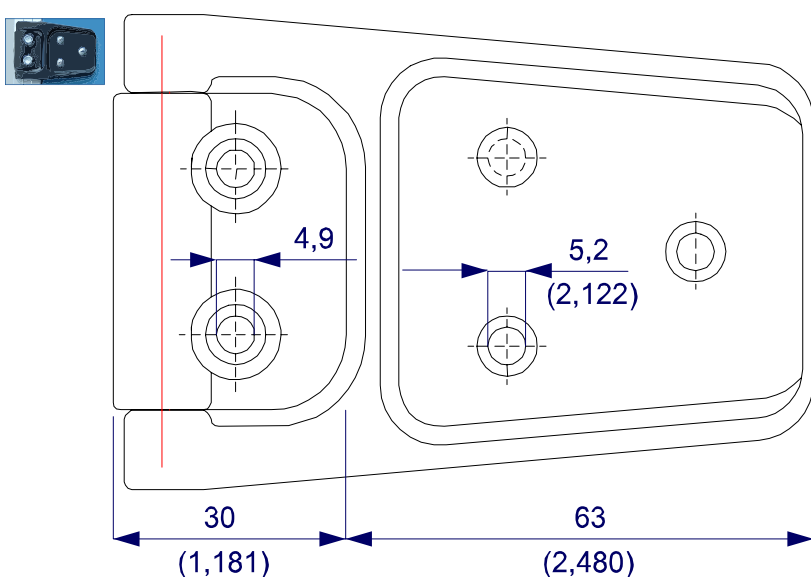
N 152 nylon hinge with
normal hole; box of 50 pc.



N 40 x 40
Nylon
box of 100 pc.

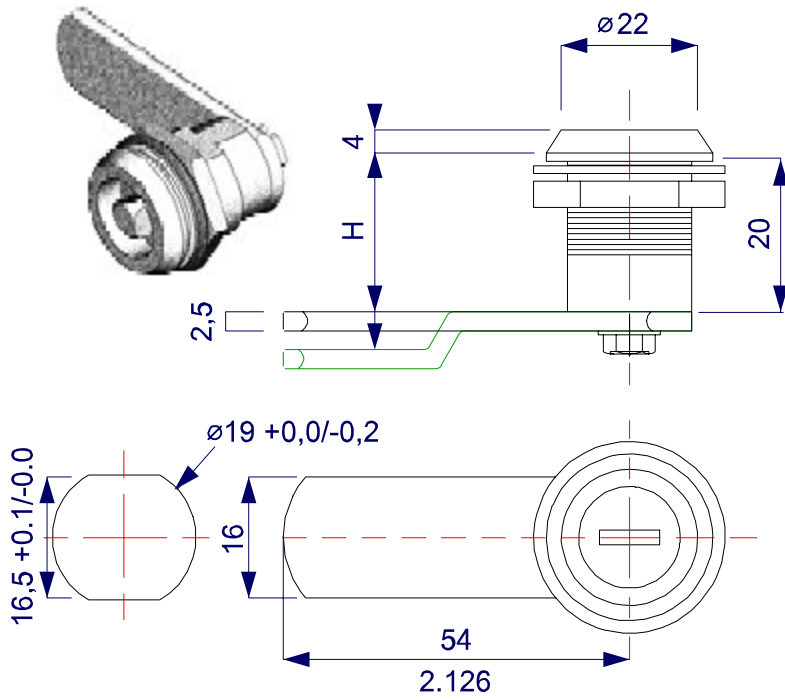
N 149 nylon hinge with
oval hole; box of 50 pc.

N 148 nylon hinge with
normal hole; box of 50 pc.

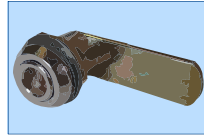


N 860
Connecting bracket
for machine section.
box of 100 pc.

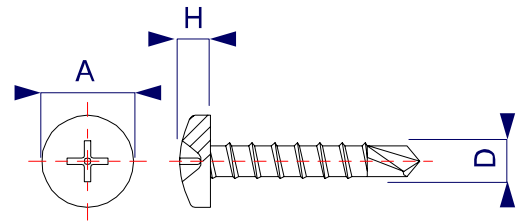
METAL LOCK



SZ 60/18-20
SZ 60/25
box of 100 pc.

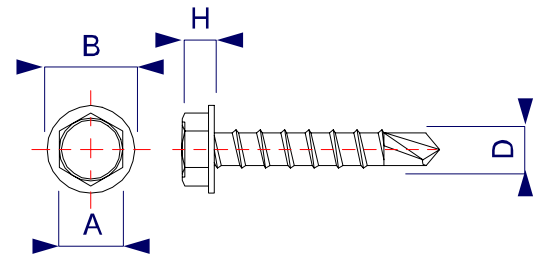


SELF-DRILLING SCREWS



TC PH

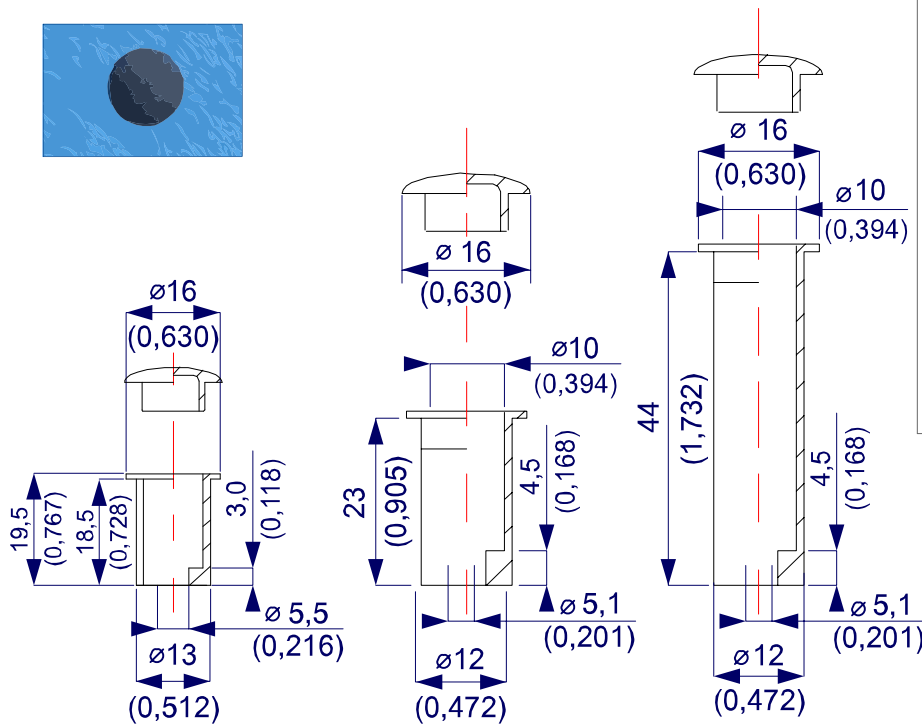
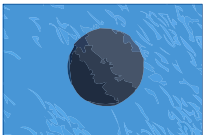
Self-drilling screws,
(available in various dimensions)
cross head (DIN 7504-M).
box of 1000 pcs.



TE FR

Self-drilling screws,
(available in various dimensions)
hexagonal head (DIN 7504-K).
box of 1000 pcs.

SCREW-GUIDE BUSHINGS

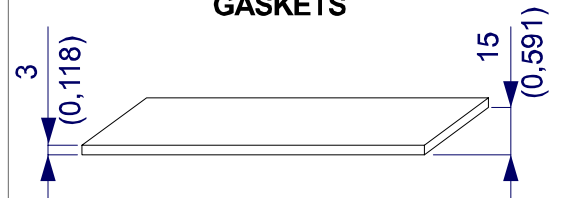


N 870/20
for panel
thickness 20 mm
box of 500 pc.

N 870
for panel
thickness 25 mm
box of 500 pc.

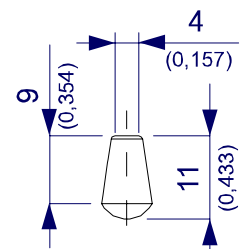
N 871
for panel thickness
45 and 50 mm
box of 500 pc.

GASKETS

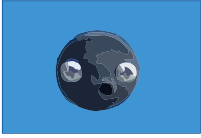


GPL 15x3 (available various
dimension on request)
Polyethylene gasket
adesive in one side.
box of 600 metres.

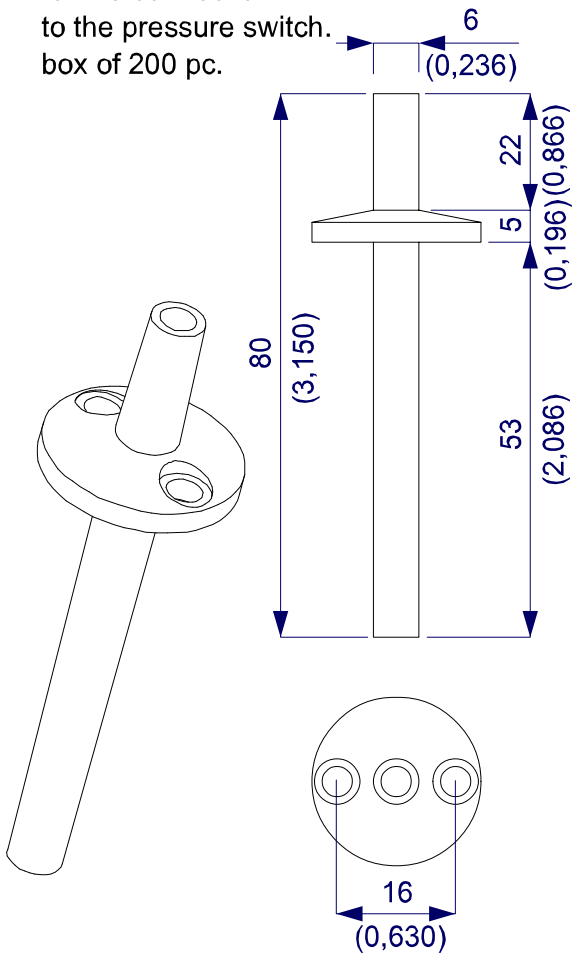
CAP SCREW COVER



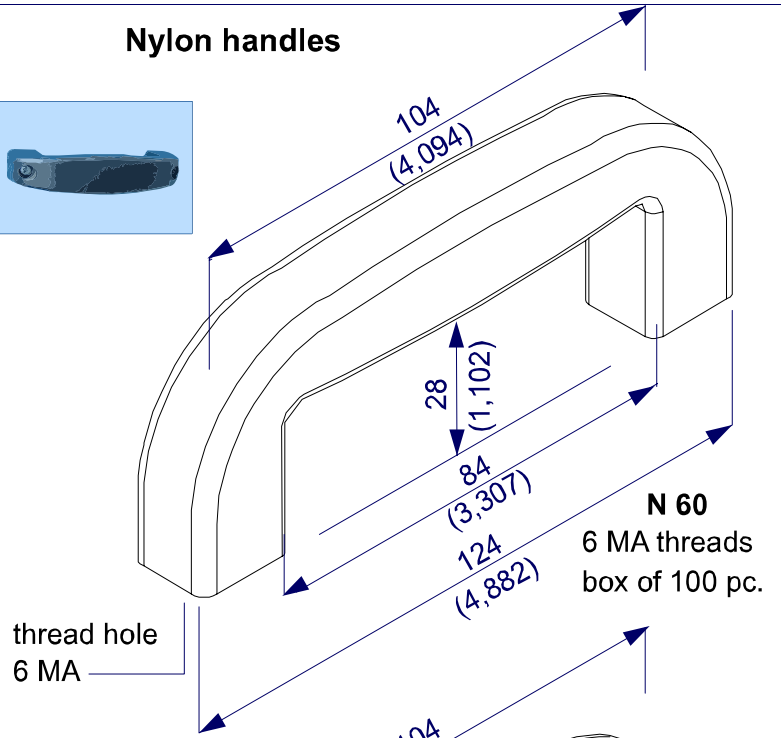
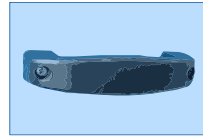
N 880 (available
various dimension on request)
Plastic safety screw cover.
pack of 1000 pc.



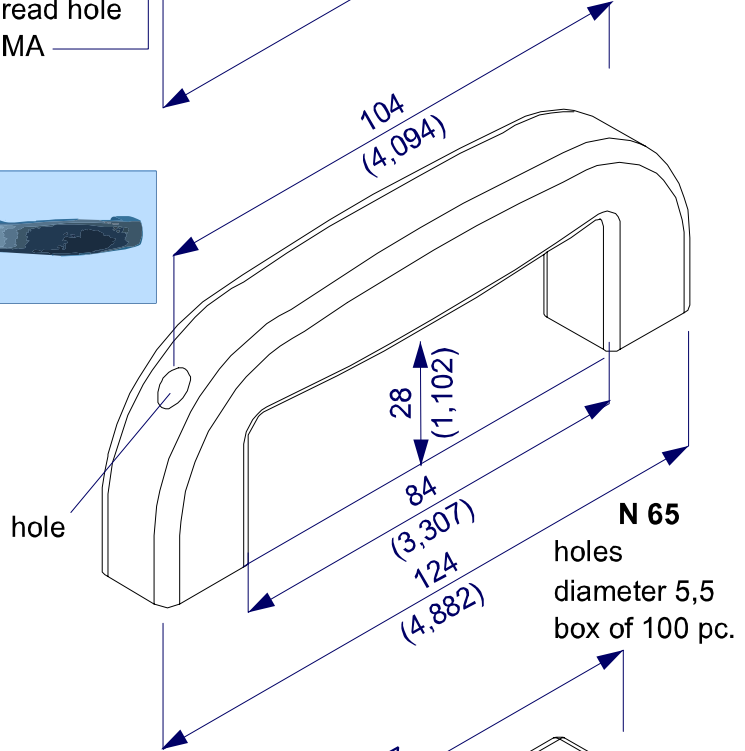
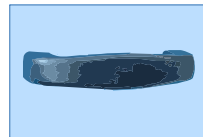
N 910
Plug
for the connection
to the pressure switch.
box of 200 pc.



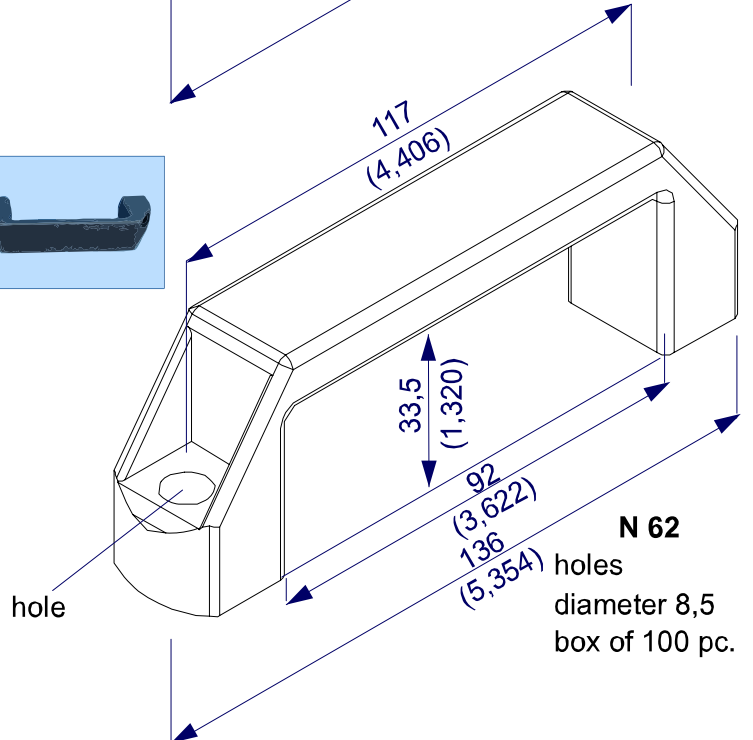
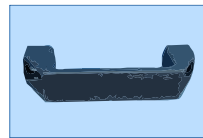
Nylon handles



N 60
6 MA threads
box of 100 pc.

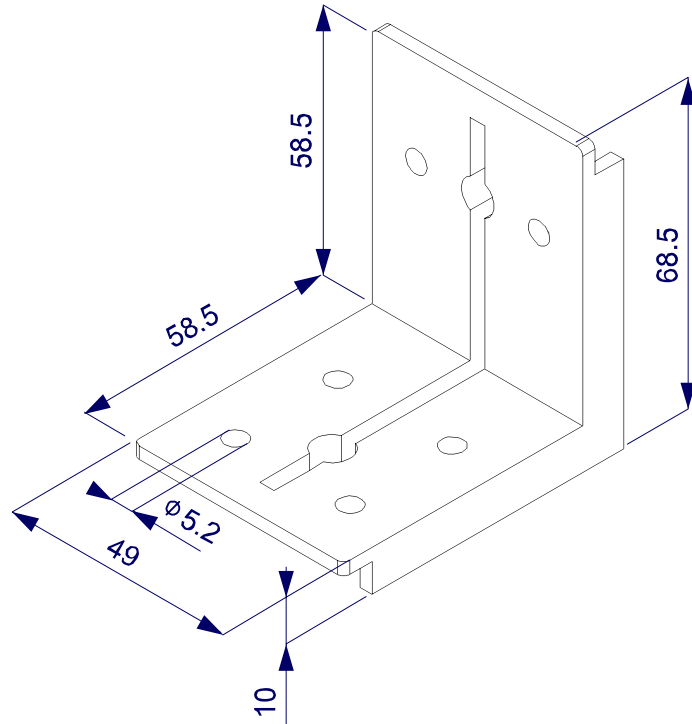
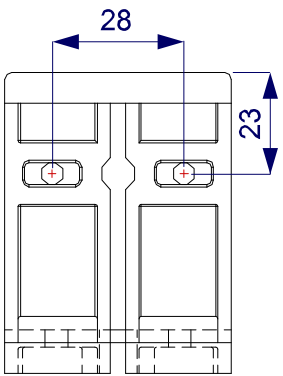
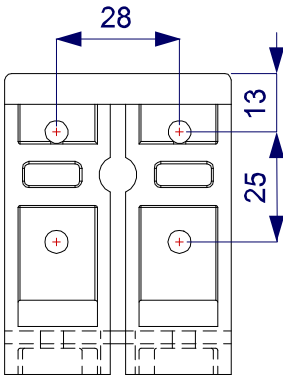
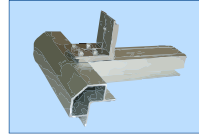


N 65
holes
diameter 5,5
box of 100 pc.

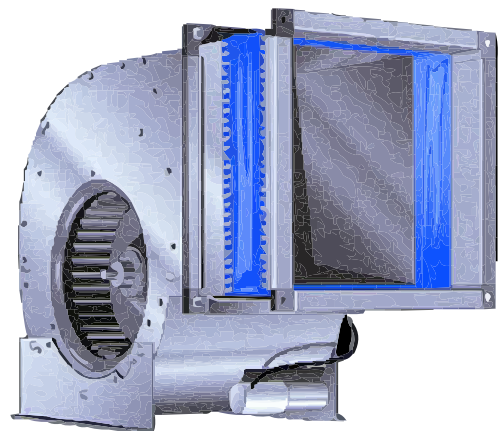
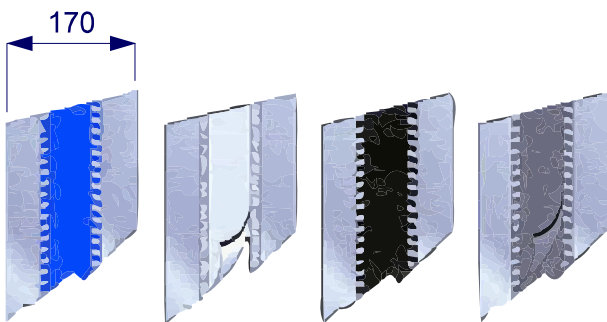


N 62
holes
diameter 8,5
box of 100 pc.

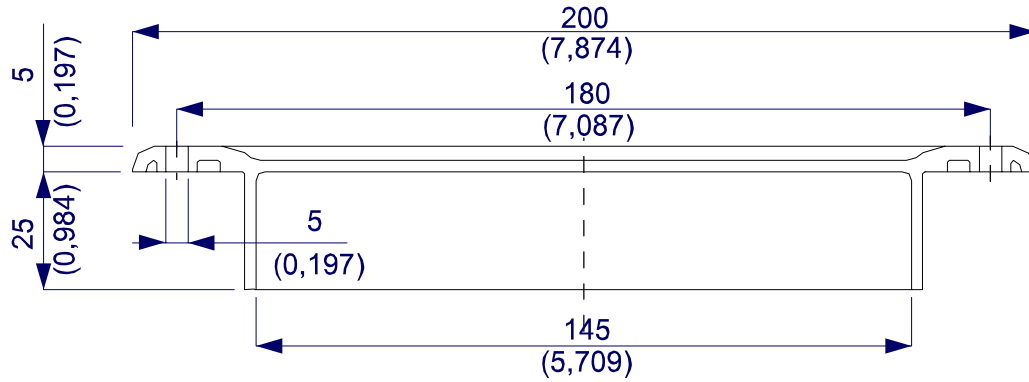
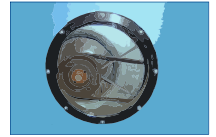
A 860
Aluminium connecting bracket
box of 60 pc.



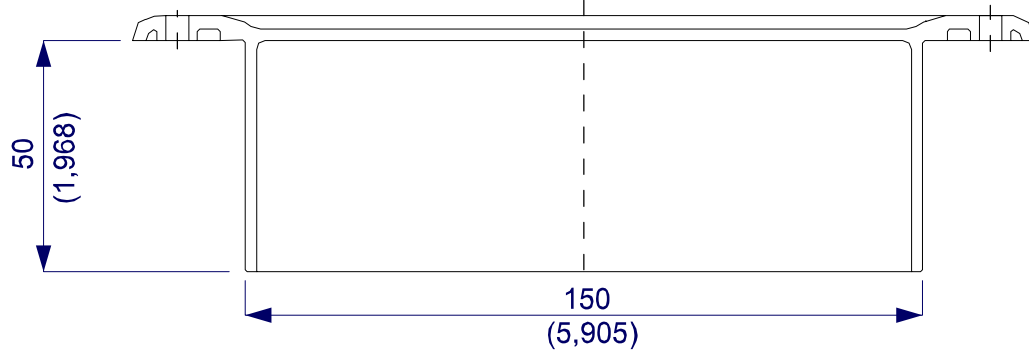
VB 170-0.50
Vibration-damping
box of 25 meters



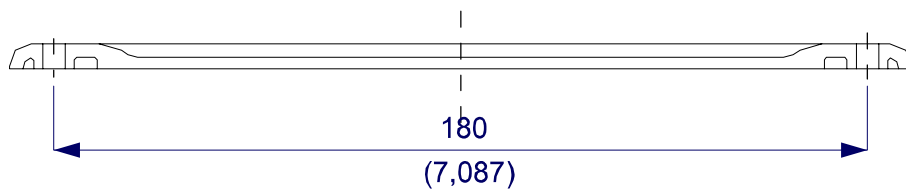
Plexiglass porthole with gasket



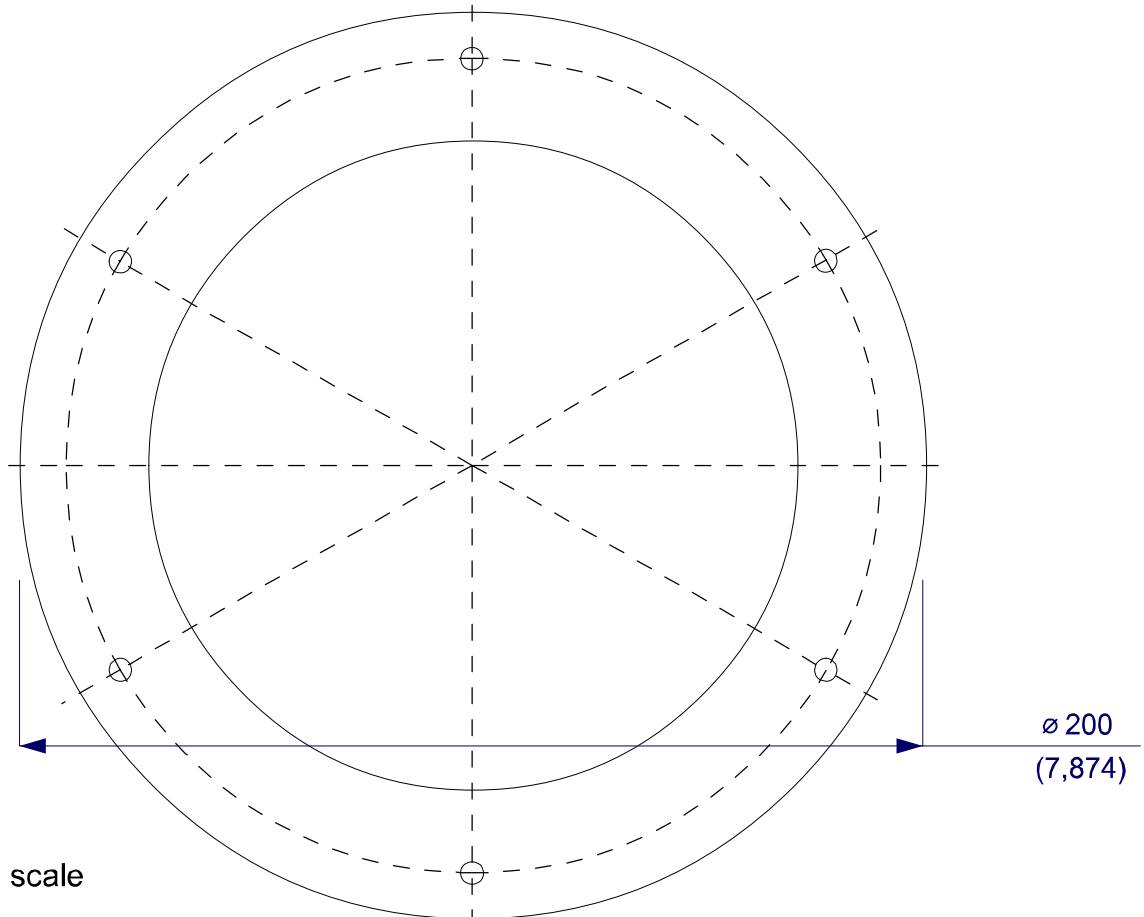
N 180-25
box of 12 pc.



N 180-50
box of 6 pc.

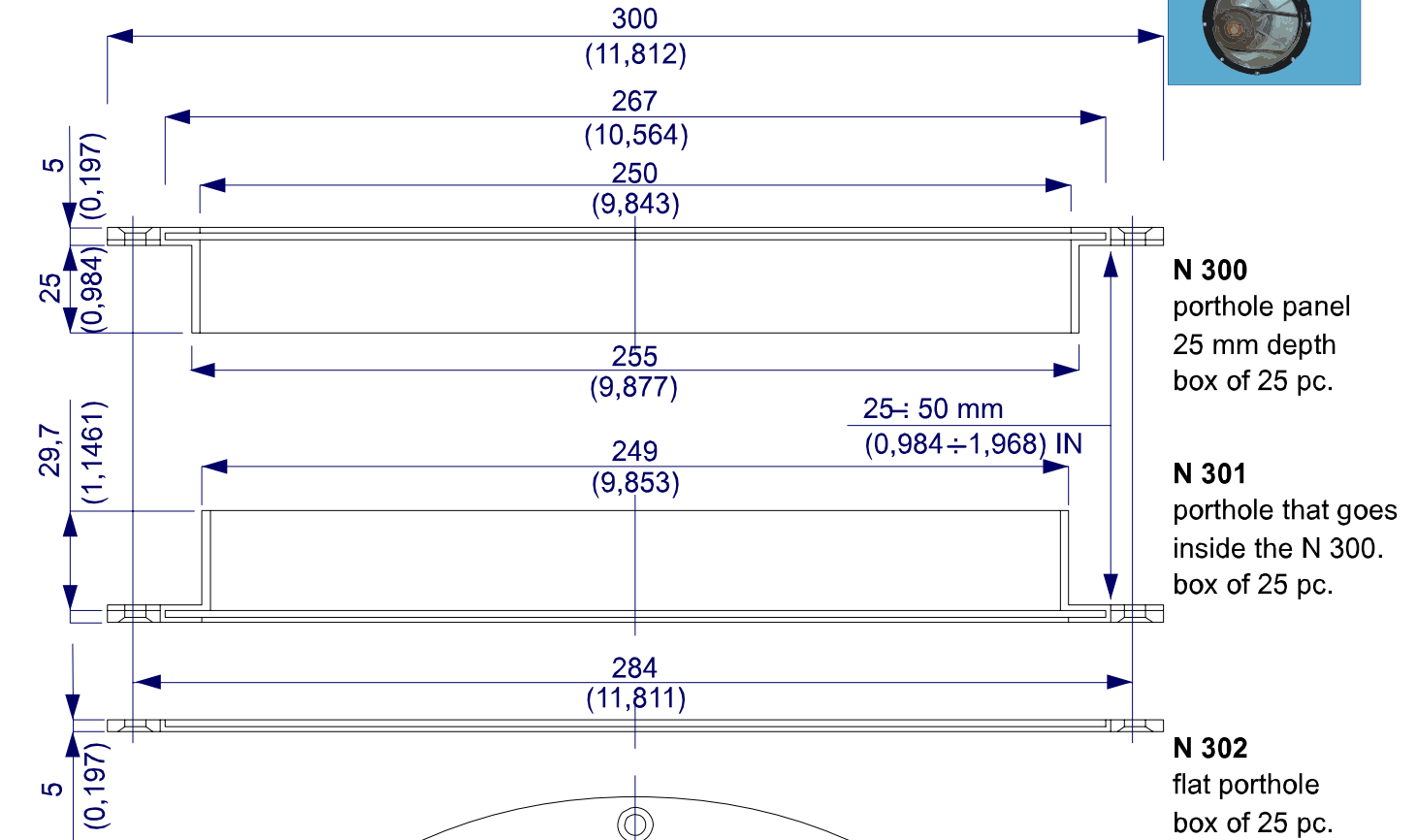
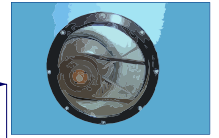


N 181
box of 50 pc.



Drawing not in scale

Flat and adjustable porthole, nylon and plexiglass



Drawing not in scale

